

NUWEIGH®

KP-576 DIGITAL HANGING SCALE

PORTABLE & COMPACT DIGITAL HANGING SCALE

Stainless Steel
top D-shackle

Heavy duty die-cast
Aluminum housing

20mm LCD
back-lit display

Three weighing
modes: KG, LB & N

Auto power off

Powered by
3x AA Batteries

300kg Capacity

Stainless Steel hook

NUWEIGH® CALIBRATION GUARANTEE

CALIBRATED AND TESTED
with certified test weights
from a reputable scale
company EST. SINCE 1976.

Calibration Certification included on request.

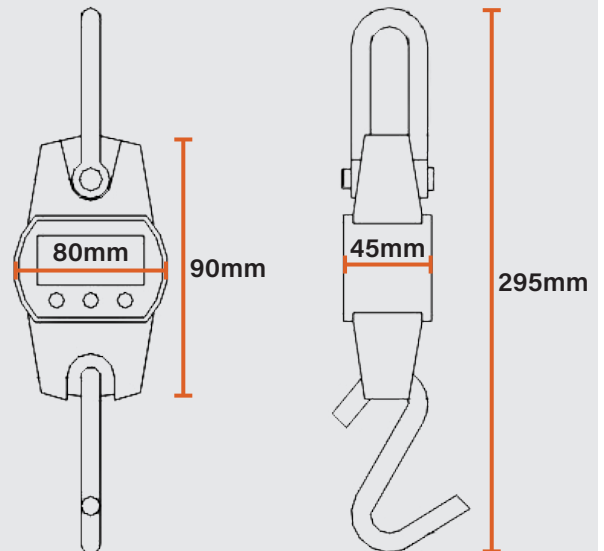


**300KG
CAPACITY**

PACKAGE INCLUDES:

- 1 x KP-576 Scale
- 1 x Stainless Steel Hook
- 1 x Stainless Steel Top D-Shackle
- 1 x NUWEIGH® User Manual
- 1 x NUWEIGH® Technical Manual
- 3 x AA Batteries

DIMENSIONS



| CAPACITY | DIVISIONS | MODEL | INV. NO |
|----------|-----------|-------|---------|
|----------|-----------|-------|---------|

| | | | |
|-------|---------|--------|-------|
| 300kg | 50/100g | KP-576 | 36933 |
|-------|---------|--------|-------|

NWS
NUWEIGH

NUWEIGH® AUSTRALIA

NATIONAL SERVICE AND SALES NSW | VIC | ACT | QLD | NT | SA | WA | TAS

1300 885 746 | sales@nuweigh.com.au | www.nuweigh.com.au

Newcastle Weighing Services EST.1976 | ABN 36 001 344 430